

Locker type storage technical specification



.mdd

.mdd has a leading position among manufacturers of office furniture with many awards that prove quality and continuously increase demand for it's products.

The realities of today`s market require constant quality improvement at all levels of modern organization. This applies in particular to customer service, marketing, quality of products and also to quality of processes within the company. Partnership relations among employees and with business partners form a base of economic growth and success of the company.

Constant investments in innovative machinery park, optimization of management systems and an expansion of production halls allow to minimize the lead times for the product of the highest quality.

More than twenty years of experience in office furniture industry come with reference from a long list of companies and institutions to show their appreciation for an efficient and comprehensive service.

.mdd is highly aware of the environment.

Being located in the forest region with lake by it's side, .mdd takes the nature seriously and invests constantly in a modern and energy-efficient solutions to preserve the local life. Company puts emphasis on waste segregation and recycling. .mdd has been awarded for the exceptional care and involvement in waste disposal. All materials used are environmentally friendly and enjoy a high 95 % rate of being recycled.



General informations:

Warranty:

.mdd products – 5 years.

Electrical components and fabric – 2 years.

Certificate - MFC:



Assembly:

the product comes pre-assembled

Packing:

cardboard

Compliant with standards:

PN-EN 14073-2:2006

Boards density:

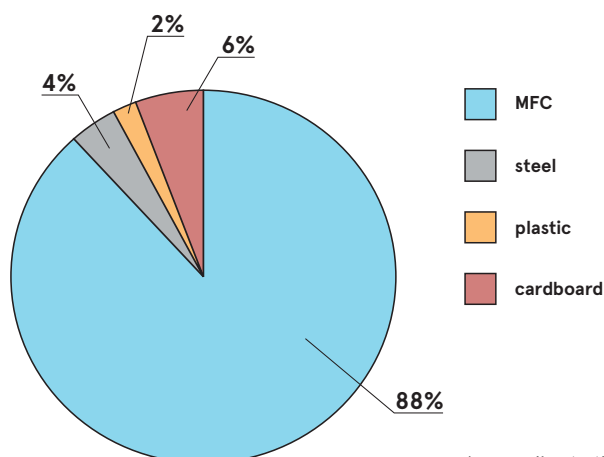
12 mm - 690 - 750 kg/m³

18 mm - 650 - 690 kg/m³

28 mm - 610 - 630 kg/m³

36 mm - 610 - 630 kg/m³

Material composition *:

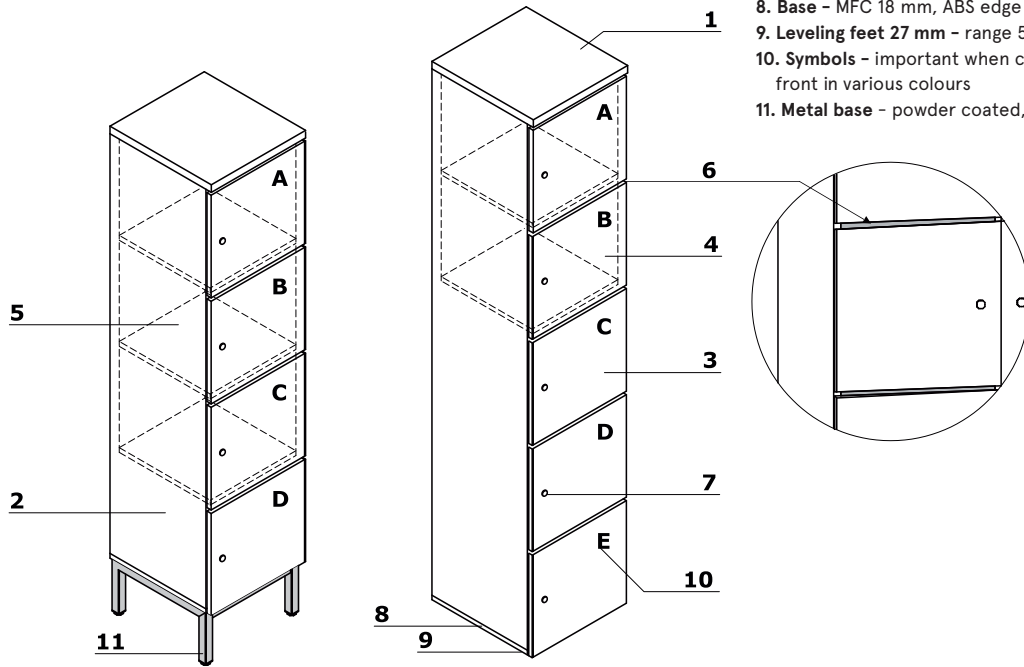


* according to the EPD document

Locker	Date of preparation 11.05.2023	The data contained in this document is valid in the day of its preparation. Change of the product, as long as it does not affect the basic features of it, does not require consistent updates of the document.	page 2/7 general informations
--------	-----------------------------------	---	---

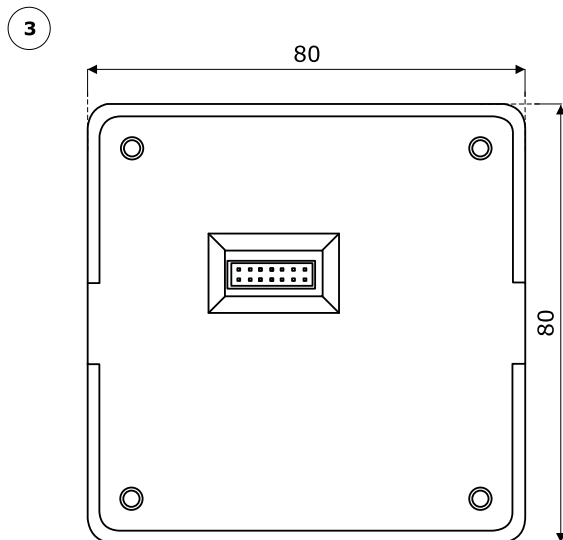
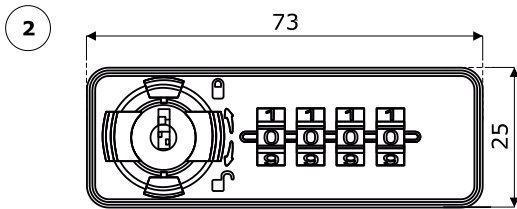
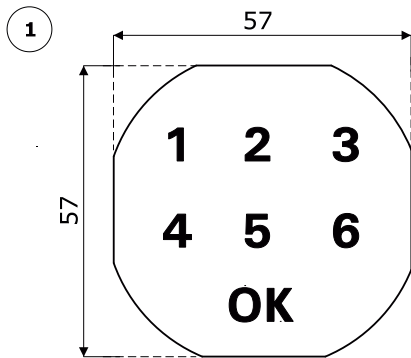
Locker type storage

1. Top - MFC 28 mm, ABS edge
2. Body - MFC 18 mm, ABS edge
3. Front - MFC 18 mm + HPL
4. Internal dimensions of one segment - 364x388x373 mm
5. Horizontal partition wall - 18 mm laminated board, edging of ABS
6. Opening for inserting sheets of paper - slot 13 mm
7. Patent lock - OPTION WITH ADDITIONAL CHARGE - code, digital lock or card lock
8. Base - MFC 18 mm, ABS edge
9. Leveling feet 27 mm - range 5 mm
10. Symbols - important when choosing a colour, possible to choose front in various colours
11. Metal base - powder coated, profile 30 x 30 mm



Locker	Date of preparation 11.05.2023	The data contained in this document is valid in the day of its preparation. Change of the product, as long as it does not affect the basic features of it, does not require consistent updates of the document.	page 3/7 technical description
--------	-----------------------------------	---	-----------------------------------

Locks for lockers (mm)



1. Standard Digital Combination Lock:

- high level of safety:
 - 4 to 15-digit user's code
 - an alarm - after 4 unsuccessful attempts to open the lock
- lock works in two modes:
 - public mode (office; school);
 - private mode (deposit; swimming pool; fitness clubs);
- the lock is made of plastic
- the lock has an indicator of low battery level
- 3V CR 2032 battery
- it is also possible to recover a forgotten code in an emergency using the master key (purchased as a separate product)

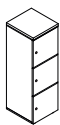
2. Code lock:

- lock works in two modes:
 - public mode (office; school);
 - private mode (deposit; swimming pool; fitness clubs);
- code search function
- a straight bolt 37 mm

3. Card lock:

- delivered together with cards (2 pcs.) and a manual
- work conditions: temperatures - 15°C to +65°C; humidity 10% to 90%
- closing / opening the cabinet requires putting a card next to it
- high level of security - by putting a wrong card five times, the lock gets blocked for 5 minutes
- the lock works in the varied user mode (deposit, swimming pool, fitness clubs)
- additional settings:
 - door open alarm and automatic unlock alarm when the time has expired
 - blockade of the possibility of opening two locks with one card
 - card validity period configuration - the card is automatically deactivated when the time has expired

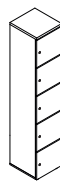
Locker type storage *



LOK03
402 / 432 / 1228
25 kg



LOK04
400 / 432 / 1610
44.1 kg



LOK05
400 / 432 / 2010
49.5 kg



MSR1
100 / 100 / 20
0.1 kg



MSR2
100 / 100 / 20
0.1 kg

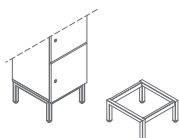


MSR3
100 / 100 / 20
0.1 kg

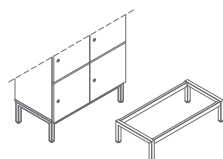


MSR4
100 / 100 / 20
0.1 kg

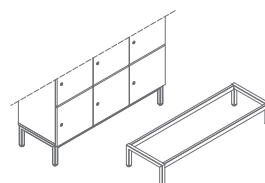
Metal base *



PM01
400 / 400 / 200
4 kg



PM02
800 / 400 / 200
5 kg



PM03
1200 / 400 / 200
6 kg

Felt basket *



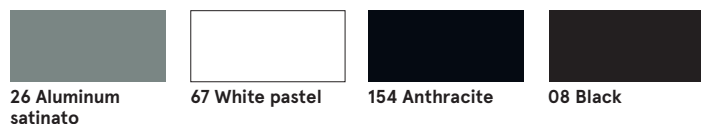
KF01
240 / 340 / 290
0.6 kg

* dimensions expressed in millimeters: width x depth x height

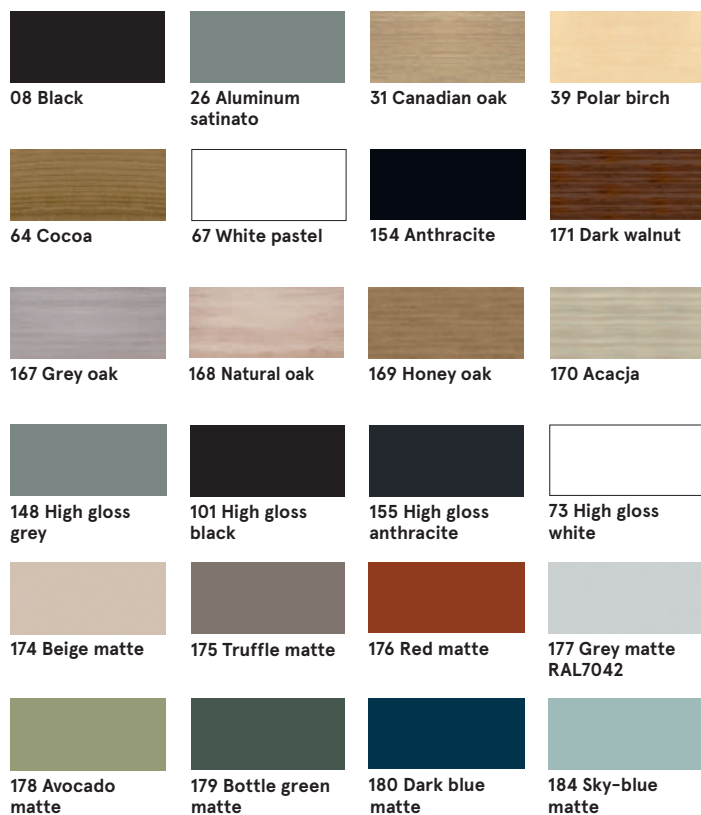
Top, base



Body



Front



Metal base



M009 Aluminum
semi-matt RAL9006



M015 White
semi-mat RAL9010



M026 Olive semi-
matt RAL6013



M027 Blue semi-
matt RAL5003



M028 Brick red
semi-matt
RAL04040



M029 Yellow semi-
matt RAL0807060



M030 Beige semi-
matt RAL0608005



M115 Black
semi-mat RAL9005



M154 Anthracite
semi-mat RAL7043