

# Paralel technical specification



**.mdd**

**.mdd has a leading position among manufacturers of office furniture with many awards that prove quality and continuously increase demand for its products.**

The realities of today's market require constant quality improvement at all levels of modern organization. This applies in particular to customer service, marketing, quality of products and also to quality of processes within the company. Partnership relations among employees and with business partners form a base of economic growth and success of the company.

Constant investments in innovative machinery park, optimization of management systems and an expansion of production halls allow to minimize the lead times for the product of the highest quality.

**More than twenty years of experience in office furniture industry come with reference from a long list of companies and institutions to show their appreciation for an efficient and comprehensive service.**

**.mdd is highly aware of the environment.**

Being located in the forest region with lake by its side, .mdd takes the nature seriously and invests constantly in a modern and energy-efficient solutions to preserve the local life. Company puts emphasis on waste segregation and recycling. .mdd has been awarded for the exceptional care and involvement in waste disposal. All materials used are environmentally friendly and enjoy a high 95 % rate of being recycled.



**General informations:**

**Warranty:**

.mdd products - **5 years**.  
Electrical components and fabric - **2 years**.

**Assembly:**

the product comes pre-assembled

**Packing:**

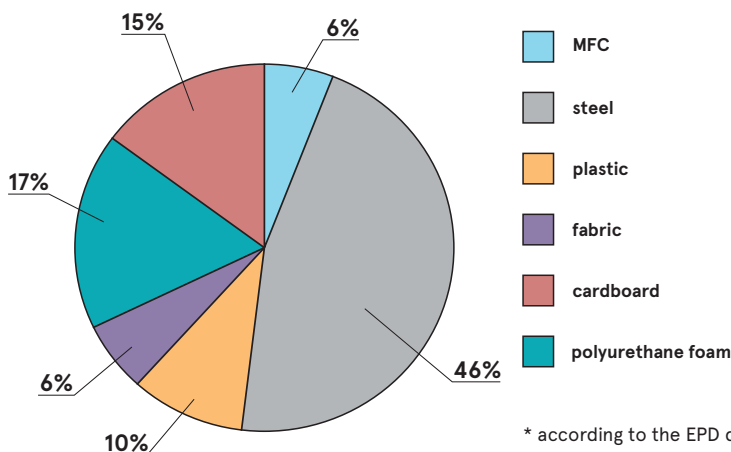
cardboard

**Certificate - fabric:**



www.mdd.eu

**Material composition \*:**



\* according to the EPD document

**Recyclability \*\***

Recycling: 100% - Downcycling: 0%

**Recycled content**

34%

**Co2 carbon footprint**

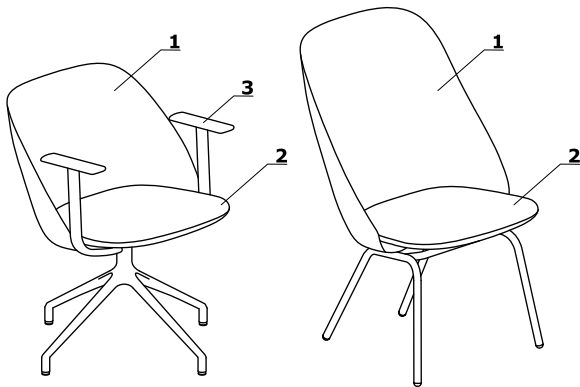
31,1 kg

\*\* average values for a representative of the group; values may vary for other products

Paralel	Date of preparation 03.02.2023	The data contained in this document is valid in the day of its preparation. Change of the product, as long as it does not affect the basic features of it, does not require consistent updates of the document.	page 2/13 <b>general informations</b>
---------	-----------------------------------	---	--

**Technical specification**

- 1. **Backrest** - moulded foam, density of 75 kg/m<sup>3</sup>, upholstered
- 2. **Seat** - moulded foam, density of 98 kg/m<sup>3</sup>, upholstered
- OPTION WITH EXTRA CHARGE:**
- 3. **Armrests** - wood - beech natural, colour: black



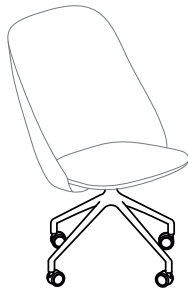
- max. load 120 kg

**Bases**



**PR1P19  
PR2P19**

- Base PR1P19/PR2P19:**
- 4 - star, aluminum, powder coated
  - swivel seat - 360°
  - aluminium cast
  - legs finished with polypropylene feet
  - OPTION WITH EXTRA CHARGE - polished aluminium



**PR1P19K  
PR2P19K**

- Base PR1P19K/PR2P19K:**
- 4 - star, aluminum, powder coated
  - swivel seat - 360°
  - aluminium cast
  - castors for soft floors
  - OPTION WITH EXTRA CHARGE - castors for hard floors
  - OPTION WITH EXTRA CHARGE - polished aluminium



**PR1P20  
PR2P20**

- Base PR1P20/PR2P20:**
- 4 - legged metal frame
  - frame made of tube Ø22 mm, powder coated

## Bases

**PR1P21**  
**PR2P21****Base PR1P21/PR2P21:**

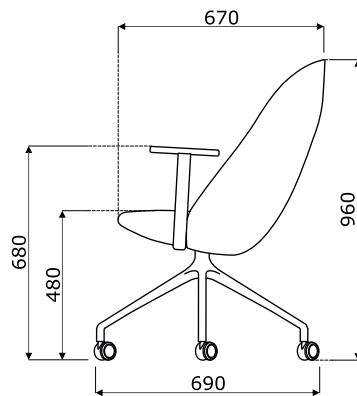
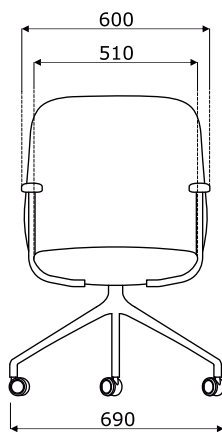
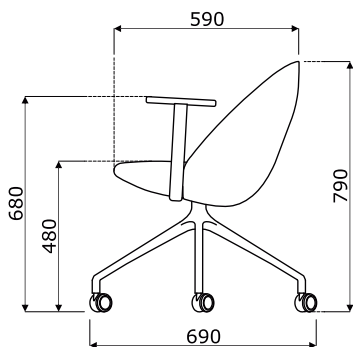
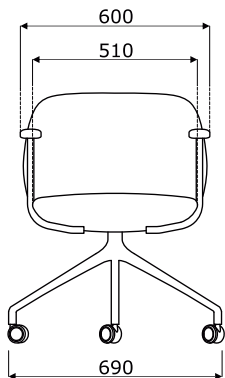
- 4 - star, aluminum,  $\varnothing=730$  mm, h=360 mm, powder coated
- swivel seat - 360°
- OPTION WITH EXTRA CHARGE - tilt mechanism

**PR1P22**  
**PR2P22****Base PR2P22:**

- 5 - star, aluminum,  $\varnothing=630$  mm, h=360 mm, powder coated
- swivel seat - 360°
- tilt mechanism with a lock
- gas spring, steel, colour: black, adjustment range 120 mm (450 - 570 mm)
- castors for soft floors
- OPTION WITH EXTRA CHARGE - castors for hard floors

<b>Paralel</b>	Date of preparation 03.02.2023	The data contained in this document is valid in the day of its preparation. Change of the product, as long as it does not affect the basic features of it, does not require consistent updates of the document.	page 4/13
			<b>technical specification</b>

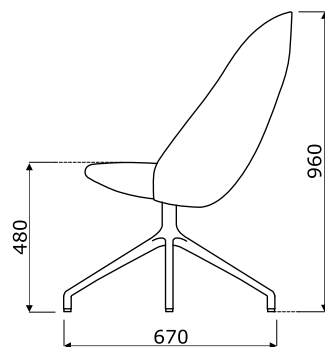
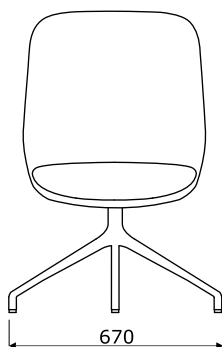
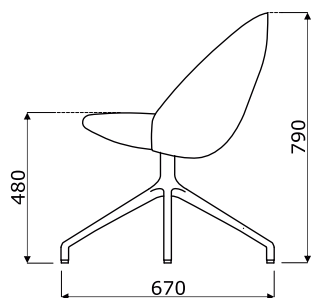
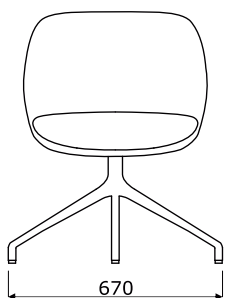
Dimensions



**PR1P19K**

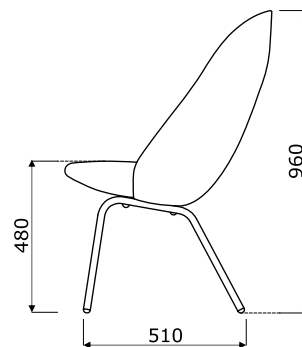
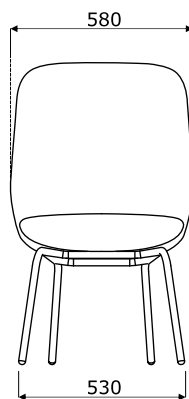
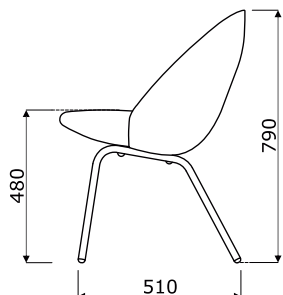
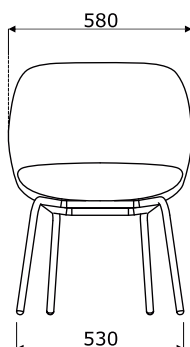
**PR2P19K**

www.mdd.eu



**PR1P19**

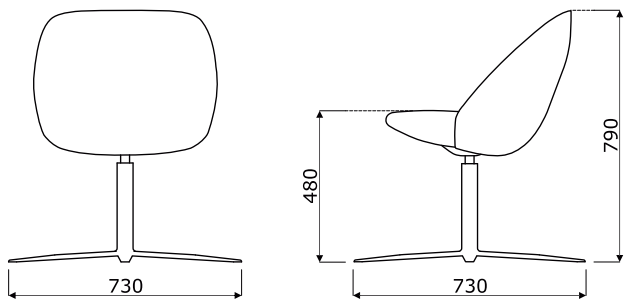
**PR2P19**



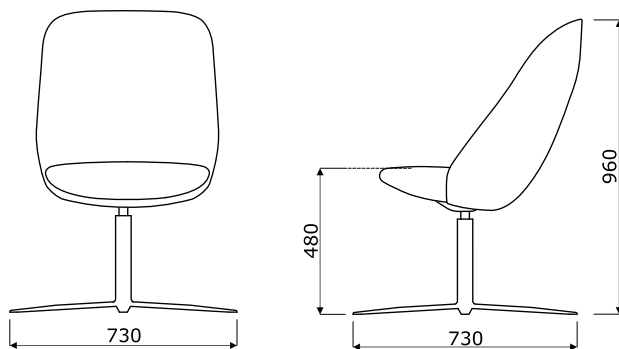
**PR1P20**

**PR2P20**

Dimensions

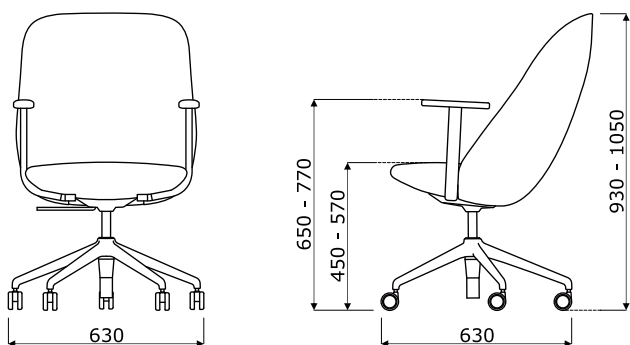


**PR1P21**



**PR2P21**

www.mdd.eu



**PR2P22**

Paralel \*



**PR1P19**  
670 / 670 / 790  
9.7 kg



**PR1P19K**  
690 / 690 / 790  
9.7 kg



**PR1P20**  
530 / 510 / 790  
9.7 kg



**PR1P21**  
730 / 730 / 790  
9.7 kg



**PR2P19**  
670 / 670 / 960  
9.7 kg



**PR2P19K**  
690 / 690 / 960  
9.7 kg



**PR2P20**  
530 / 510 / 960  
9.7 kg



**PR2P21**  
730 / 730 / 960  
9.7 kg












**PR2P22**  
630 / 630 / 930  
9.7 kg

\* dimensions expressed in millimeters: width x depth x height

<b>Paralel</b>	Date of preparation 03.02.2023	The data contained in this document is valid in the day of its preparation. Change of the product, as long as it does not affect the basic features of it, does not require consistent updates of the document.	page 7/13
			<b>products</b>

**Base - metal**

 M013 Burgundy semi-matt RAL3007	 M015 White semi-matt RAL9010	 M026 Olive semi-matt RAL6013	 M028 Brick red semi-matt RAL0404040
 M029 Yellow semi-matt RAL0807060	 M030 Beige semi-matt RAL0608005	 M115 Black semi-matt RAL9005	 M154 Anthracite semi-matt RAL7043
 Polished aluminum *			

**Base PR1P21, PR2P21 - metal**

  
M115 Black semi-matt RAL9005

**Fabric Medley - second price group**

 M-68005 Dark olive	 M-66008 Grey	 M-64019 Red	 M-63064 Pink
 M-60999 Black	 M-61189 Beige	 M-60003 Light grey	 M-62054 Mustard
 M-62002 Yellow	 M-66010 Blue	 M-65011 Grey-violet	 M-63017 Rusty
 M-67006 Light blue			

**Technical data:**

**Material** polyester 100%

**Fabric weight** 510 g/lm (16.45 oz/lin.yd.)

**Abrasion resistance rubs** BS EN ISO 12947-2, 75,000 cykli Martindale

**Pilling resistance** scale 1-5, max. 5, EN ISO 12945-2 (4)

**Colour fastness to light** scale 1-8, max. 8, EN ISO 105-B02 (5-7)

**Colour fastness to rubbing** scale 1-5, max. 5, EN ISO 105x12 (wet/dry (4-5/4-5))

**Acoustic test sound absorption** ISO 354

**Flammability** BS EN 1021-1 (cigarette)  
BS 476 Part 7, Class 2  
Class Uno UNI 9174 - UNI 8457  
CA TB 117-2013  
ASTM E 84 Class I

**Fabric Atlantic \* - second price group**

 A-67043 Dark turquoise	 A-67030 Aquamarine	 A-60141 Light grey	 A-60011 Grey
 A-66064 Navy blue	 A-65037 Violet	 A-62048 Olive	 A-64089 Red
 A-61078 Beige	 A-60025 Graphite		

**Technical data:**

**Material** polyester 100%

**Fabric weight** 530 g/lm (17.09 oz/lin.yd.)

**Abrasion resistance rubs** BS EN ISO 12947-2, 110,000 Martindale cycles

**Pilling resistance** scale 1-5, max. 5, EN ISO 12945-2 (4-5)

**Colour fastness to light** scale 1-8, max. 8, EN ISO 105-B02 (5-7)

**Colour fastness to rubbing** scale 1-5, max. 5, EN ISO 105x12 (wet/dry)

**Flammability** CA TB 117-2013  
ASTM E 84 Class I  
BS EN 1021-2 (match)  
BS EN 1021-1 (cigarette)

\* option with extra charge - base P19, P19K

\* There is a possibility of ordering the product in full colour spectrum of Atlantic range, as per Gabriel's pattern book, within 8 weeks



**Fabric Vita – second price group**



**Technical data:**

**Material** Surface: 98,5% PVC, 1,5% PU  
Substrate: 50% poliester, 50% Cotton

**Fabric weight** 850g/m2 ± 10% (1190G/lin. m ± 10%)

**Abrasion resistance rubs** BS EN ISO 5470-2, 100,000 Martindale cycles

**Colour fastness to light** 6 (ISO 105 - B02)

**Colour fastness to rubbing** wet: 4, dry: 4 (ISO 105 - X12)

**Flammability** BS EN 1021 - (cigarette)  
BS EN 1021 - 2 (match)  
BS 5852 - (Ignition Source 5)  
BS 7176 - (Medium Hazard)

**Flexes** BS EN ISO 7854 - Method B,  
400.000 Flexing cycles

**Anti-microblal / Anti-fungal** AATCC 147

**Fabric Charles \* – second price group**



**Technical data:**

**Material** 100% polyester

**Fabric weight** 433g/m2

**Abrasion resistance rubs** 90,000 Martindale cycles (EN ISO 12947-2)

**Pilling resistance** EN ISO 12945-2, 5

**Light fastness** EN ISO 105-B02, 5

**Rubbing fastness** dry: 4-5, wet: 4-5, EN ISO 105x12

**Flammability** EN 1021, 1

\* There is a possibility of ordering the product in full colour spectrum of Charles range, as per Dekoma pattern book, within the standard delivery time.

### Fabric Go Check - second price group



**Technical data:**

**Material** 100% Trevira CS

**Fabric weight** 435g/lm

**Abrasion resistance rubs** 80,000 rubs martindale (EN ISO 12947-2)

**Pilling resistance** scale 1-5, max. 5 - EN ISO 12945-2, 5

**Light fastness** scale 1-8, max. 8 - EN ISO 105-B02, 5-8

**Rubbing fastness** dry: 4-5, wet: 4-5, scale 1-5, max. 5 - EN ISO 105x12

**Flammability** BS EN 1021 1&2 Cigarette and Match  
BS EN 1021-1 Cigarette  
BS 5852 Crib 5  
BS 7176 Medium hazard  
DIN 4102 - B1  
NFP 92-503/504/505 M1  
ÖNORM A3800-B1-B3825-Q1 UK  
Class Uno UNI 9175 Class 1 I EMME  
FAR/JAR 25.853 (a) (i) (ii)  
CA TB 117-2013  
DIN EN 13501-1 B-s1,d0  
AM 18 - NF D 60-013-(only for fabric)

### Fabric Mica - second price group



**Technical data:**

**Material** post-consumer recycled polyester 97%, polyester 3%

**Fabric weight** 305 g/lm

**Abrasion resistance rubs** 60,000 rubs martindale (EN ISO 12947-2)

**Pilling resistance** scale 1-5, max. 5 - EN ISO 12945-2, 4-5

**Light fastness** scale 1-8, max. 8 - EN ISO 105-B02, 5-8

**Rubbing fastness** dry: 4-5, wet: 4-5, scale 1-5, max. 5 - EN ISO 105x12

**Flammability** CA TB 117-2013  
ASTM E 84 Class I  
BS EN 1021-1 Cigarette  
BS EN 1021-2 Match  
BS 476 Part 7 class I

### Fabric Synergy - third price group



**Technical data:**

**Composition** 95% Virgin Wool, 5% Polyamide

**Fabric weight** 400g/m2 (560g/lm)

**Abrasion resistance rubs** 100.000 Martindale cycles

**Colour fastness to light** ISO 105 - B02 5

**Colour fastness to rubbing** EN ISO 105x12 (dry/wet) 4-4

**Flammability** EN 1021 - 1&2 (cigarette & match)  
 BS 7176 Low Hazard  
 NF D 60-013  
 ÖNORM B 3825 & A 3800-1 (58 kg/m3 CMHR Foam)  
 UNI 9175 Classe 1 IM  
 EN 13501-1 Adhered Class D, s1, d0  
 IMO FTP Code (Part 8)  
 The Furniture and Furnishing (Fire) (Safety) Regulations 1988 (Domestic Cigarette and Match)  
 BS 5852 Ignition Source 5 when FR treated  
 BS 7176 Medium Hazard when FR treated  
 EN 13501-1 Adhered Class B, s1, d0 when FR treated  
 EN 13501-1 Un-adhered Class D, s2, d0 when FR treated  
 BS 5867-2: Type B Curtains & Drapes when FR treated

### Fabric Silvertex - third price group

**Technical data:**

**Material** Topcoat: 100% Vinyl  
 Backing: 100% Polyester Hi-Loft™

**Fabric weight** 685 gr/m2

**Abrasion resistance** >300,000 cycles Martindale

**UV-resistance** >= 7 (1000 hours, blue wool scale)

**Cold Crack resistance** -23°C

**Flame retardancy** NF P 92-503 / M2  
 EN 1021, Part 1&2  
 DIN 4102 B2  
 ÖNORM B 3825, Gruppe I - Schwerbrennbares Verhalten  
 ÖNORM A 3800, Teil I, Qualmbildungsklasse QI - schwachqualmend  
 IMO Res. MSC.307 (88) (2010 FTP Code) Annex I Part 8  
 (MED) Marine Equipment Directive in its current valid version  
 UNI 9175 (1987) / UNI 9175/FAI (1994) Classe I.IM (uno I EMME)  
 UNE 23.727-90 IR /M2  
 EN 71-2: 2006+A1: 2007 Safety of Toys - Part 2: Flammability  
 ECE R 11 8 (replaces Directive 95/28/EC)  
 FMVSS 302  
 FAR 25/853

**Antimicrobial** Antifungal Protection, Antibacterial Protection, Antimycotic Protection

There is a possibility of ordering the product in full colour spectrum of Silvertex range, as per Spradling's pattern book, within 15 working days.

### Fabric Tessa - third price group



**Technical data:**

**Material** 95% polyester, 5% acrylic  
**Fabric weight** 500g/m2  
**Abrasion resistance rubs** 75,000 Martindale cycles (EN ISO 12497-2)  
**Pilling resistance** EN ISO 12945-2, 4-5  
**Light fastness** EN ISO 105-B02, 4  
**Rubbing fastness** dry: 4-5, wet: 4-5, EN ISO 105x12

### Fabric Oceanic - third price group



**Technical data:**

**Material** 100% post-consumer recycled polyester  
**Fabric weight** 497g/m2  
**Abrasion resistance rubs** 100,000 Martindale cycles (EN ISO 12947-2)  
**Pilling resistance** EN ISO 12945-2, 5  
**Light fastness** EN ISO 105-B02, 5  
**Rubbing fastness** dry: 4, wet: 4, EN ISO 105x12  
**Flammability** EN 1021, - 1&2 (Cigarette and Match)  
 BS 7176 Low Hazard  
 BS 5852 Ignition Source  
 BS 7176 Medium Hazard

### Fabric Quest - third price group



**Technical data:**

**Material** 100% post-consumer recycled polyester  
**Fabric weight** 330g/m2  
**Abrasion resistance rubs** 100,000 Martindale cycles (EN ISO 12947-2)  
**Light fastness** EN ISO 105-B02, 4-6  
**Rubbing fastness** dry: 4, wet: 4, EN ISO 105x12  
**Flammability** EN 1021, - 1&2 (Cigarette and Match)  
 BS 7176 Low Hazard  
 UNI 9175 Classe 1 IM  
 BS 476 Part 7 Class 1Y (Adhered)  
 EN 13501-1 Adhered Class B, s1, d0  
 EN 13501-1 Un-adhered Class B, s1, d0  
 BS 5852 Ignition Source 5 with EnviroFlam5  
 BS 7176 Medium Hazard with EnviroFlam5  
 IMO FTP Code (Part 8) with EnviroFlam5

### Fabric Grain - third price group



**Technical data:**

**Material** 92% post-consumer recycled polyester  
 8% polyester  
**Fabric weight** 615g/m2  
**Abrasion resistance rubs** 100,000 Martindale cycles (EN ISO 12947-2)  
**Pilling resistance** EN ISO 12945-2, 5  
**Light fastness** EN ISO 105-B02, 5-7  
**Rubbing fastness** dry: 4-5, wet: 4-5, EN ISO 105x12  
**Flammability** BS EN 1021 1&2 Cigarette and Match  
 BS EN 1021-1 Cigarette  
 CA TB 117-2013

## Fabric Atlas - fourth price group



### Technical data:

<b>Material</b>	90% new wool, 10% nylon
<b>Fabric weight</b>	286g/m2, 400g/lm
<b>Abrasion resistance rubs</b>	100,000 cykli Martindale, EN ISO 12947
<b>Colour fastness to light</b>	ISO 105 B02: 6-7
<b>Colour fastness to rubbing</b>	ISO 105-X12:2001, (wet/dry) 4-5/4-5
<b>Flammability</b>	BS EN 1021-2 Match, BS EN 1021-1 Cigarette, BS 5 5852 Crib 5, BS 5852 ignition source 3, BS 5852 Part 1, NF D 60 013, UNI 9175 1M, US Cal. Bull. 117-2013

## Leather - fourth price group



### Technical data:

<b>Material</b>	Leather type - corrected grain leather Type of finishing - pigmented leather
<b>Abrasion resistance rubs</b>	Dry: 500 cycles - min. 4 grey scale Wet: 250 cycles - min. 4 grey scale UNI EN ISO 11640
<b>Colour fastness to light</b>	Light fastness: min. 4 grey scale, UNI ISO 105-802
<b>Flammability</b>	No ignition UNI EN 1021-1-2006 BS EN 1021-1-2006