

New School technical specification



.mdd

.mdd has a leading position among manufacturers of office furniture with many awards that prove quality and continuously increase demand for it's products.

The realities of today`s market require constant quality improvement at all levels of modern organization. This applies in particular to customer service, marketing, quality of products and also to quality of processes within the company. Partnership relations among employees and with business partners form a base of economic growth and success of the company.

Constant investments in innovative machinery park, optimization of management systems and an expansion of production halls allow to minimize the lead times for the product of the highest quality.

More than twenty years of experience in office furniture industry come with reference from a long list of companies and institutions to show their appreciation for an efficient and comprehensive service. .mdd is highly aware of the environment.

Being located in the forest region with lake by it's side, .mdd takes the nature seriously and invests constantly in a modern and energy-efficient solutions to preserve the local life. Company puts emphasis on waste segregation and recycling. .mdd has been awarded for the exceptional care and involvement in waste disposal. All materials used are environmentally friendly and enjoy a high 95 % rate of being recycled.



General informations:

Warranty:

.mdd products - **5 years**.
Electrical components and fabric - **2 years**.

Assembly:

the product comes pre-assembled

Prizes and awards:



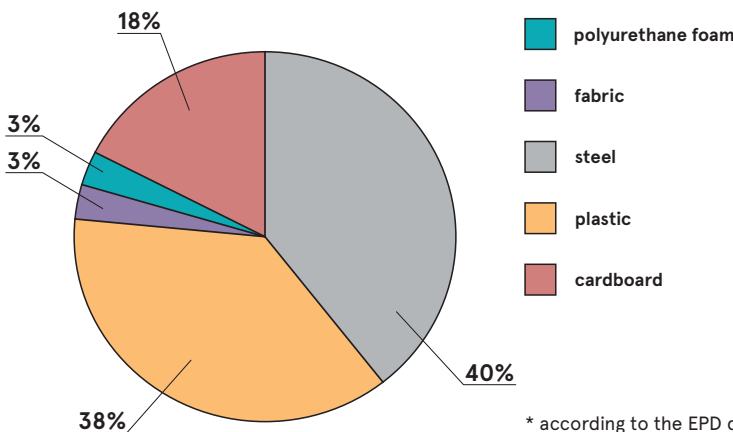
Packing:

cardboard

Certificate - fabric:



Material composition *:



* according to the EPD document

Recyclability **

Recycling: 93% - Downcycling: 7%

Recycled content

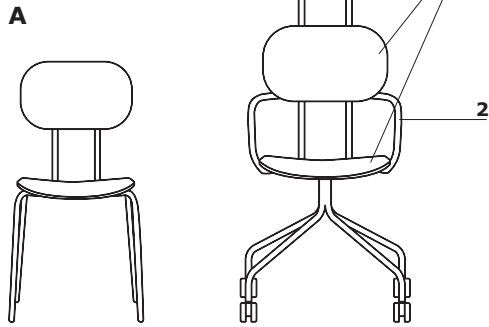
34%

Co2 carbon footprint

43,2 kg

** average values for a representative of the group; values may vary for other products

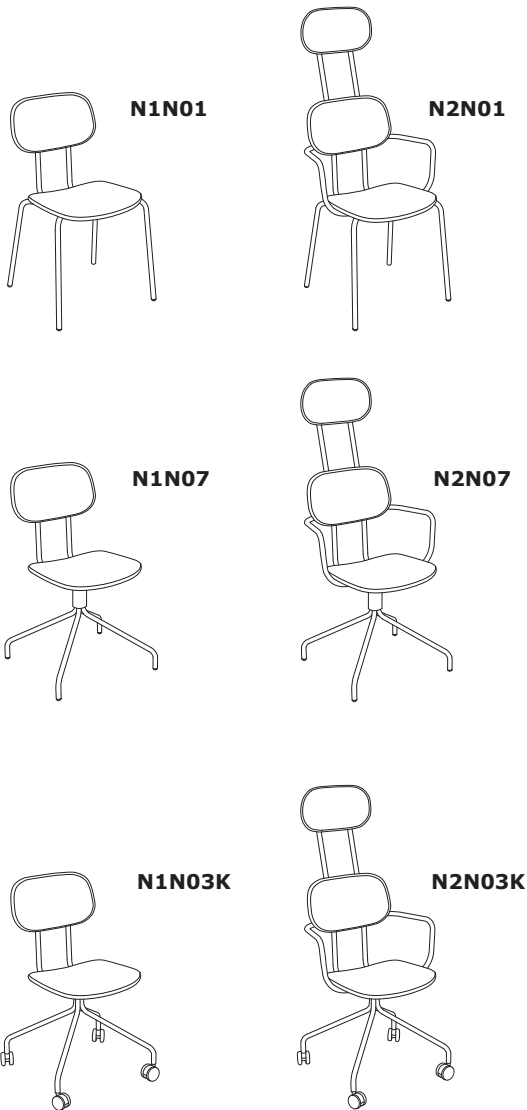
Technical specification



- 1. Seat, backrest, headrest - upholstery/plywood (8 layers / 9 mm)
- 2. Armrests - metal (right + left) in frame colour;
OPTION WITH EXTRA CHARGE - for seat, backrest N1N01, N1N07, N1N03K, N1N04H, N1N05H, N1N08K

- max. load 120 kg

New School



- Base N1N01/N2N01:**
- 4 - legged metal frame
 - frame made of tube Ø18 mm, wall thickness 2 mm, powder coated
 - N1N01 - stacking - maximum of 5 pieces (only in the plywood finish chairs)

- Base N1N07/N2N07:**
- 4 - star metal frame
 - frame made of tube Ø18 mm, wall thickness 2 mm, powder coated
 - swivel seat - 360°

- Base N1N03K/N2N03K:**
- 4 - star metal frame
 - castors for soft floors
 - OPTION WITH EXTRA CHARGE - castors for hard floors
 - frame made of tube Ø18 mm, wall thickness 2 mm, powder coated
 - fixed seat

New School



N1N08K

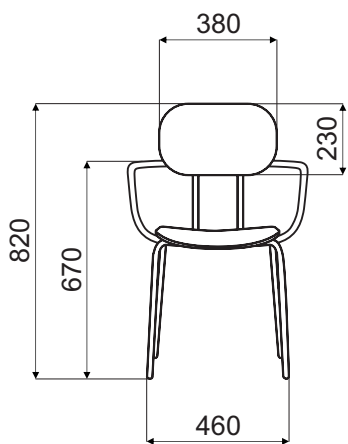


N2N08K

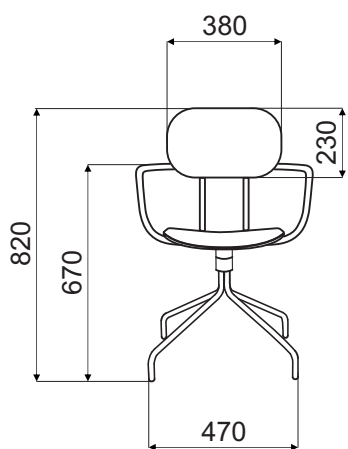
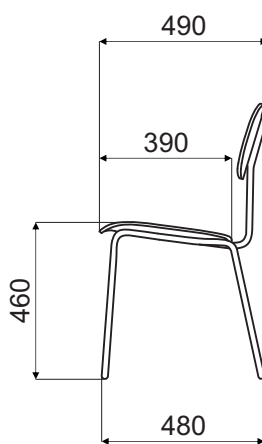
Base N1N08K/N2N08K:

- base 5 - star, steel pipe Ø18 mm, wall thickness 2 mm, powder coated
- steal gas spring; adjustment range 100 mm (seat - height: 440 - 540 mm)

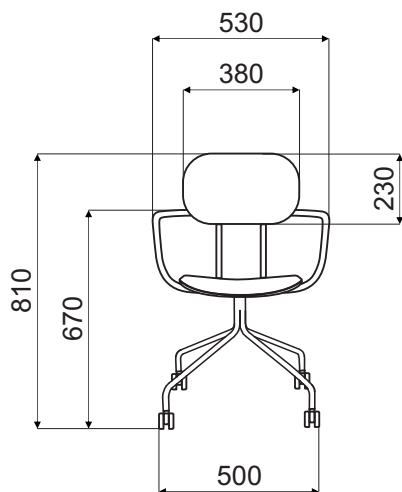
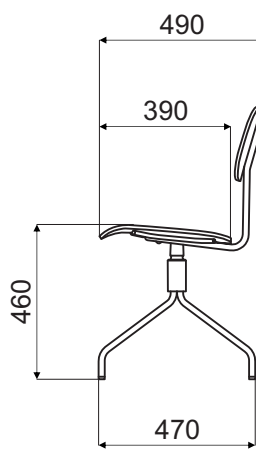
Dimensions



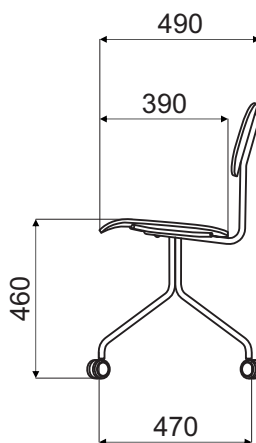
N1N01



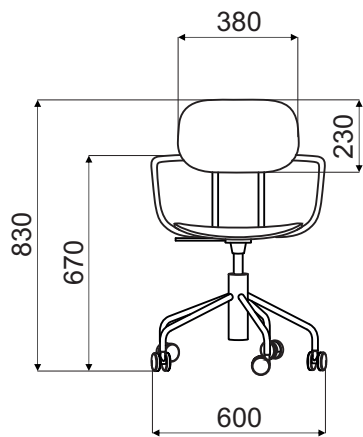
N1N07



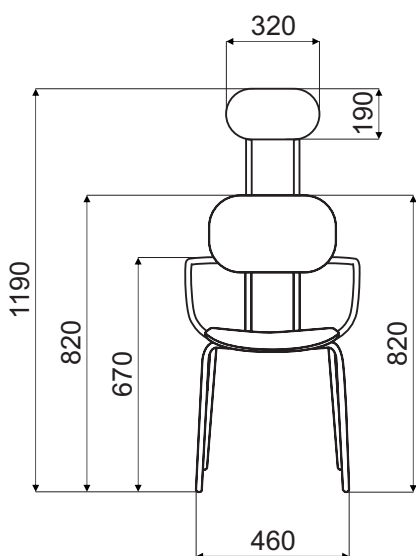
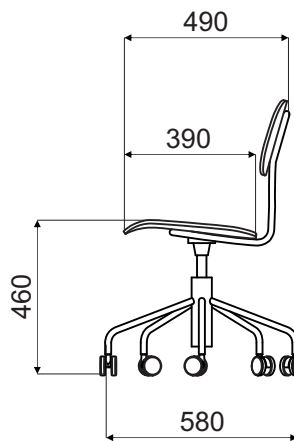
N1N03K



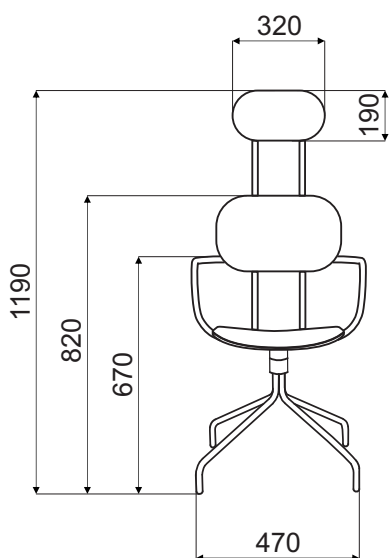
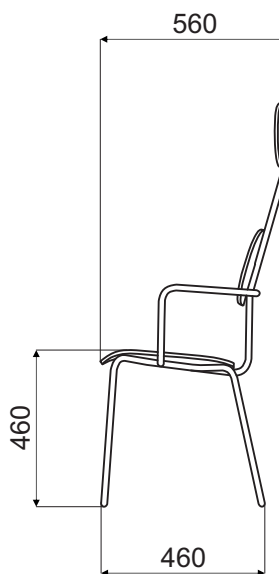
Dimensions



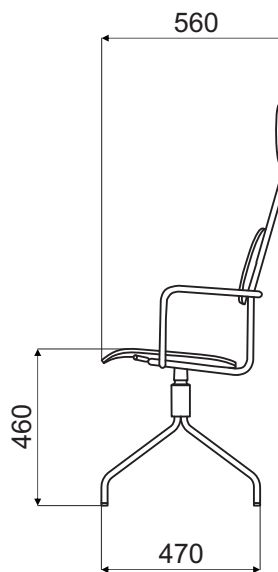
N1N08K



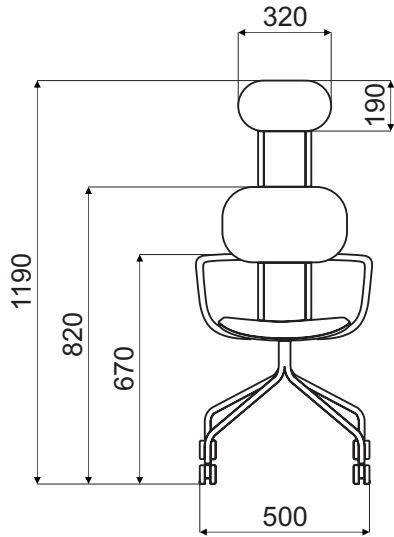
N2N01



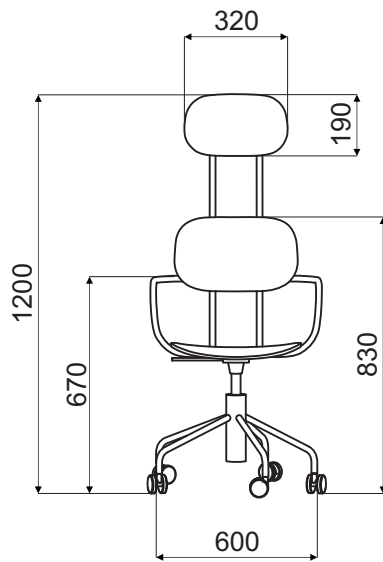
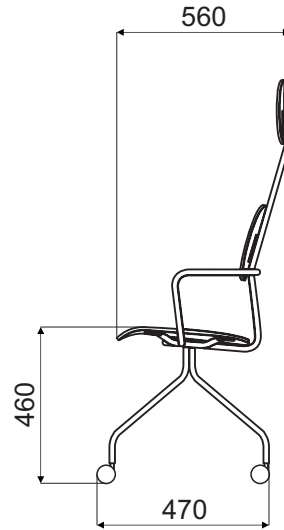
N2N07



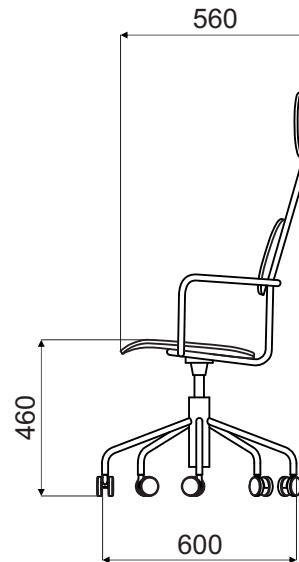
Dimensions



N2N03K



N2N08K



New School *



N1N01
530 / 490 / 820
7 kg



N1N07
530 / 490 / 820
10.7 kg



N1N03K
530 / 490 / 810
10.2 kg



N1N08K
600 / 580 / 830
9.5 kg



N2N01
530 / 560 / 1190
9 kg



N2N07
530 / 560 / 1190
9 kg



N2N03K
530 / 560 / 1190
13 kg

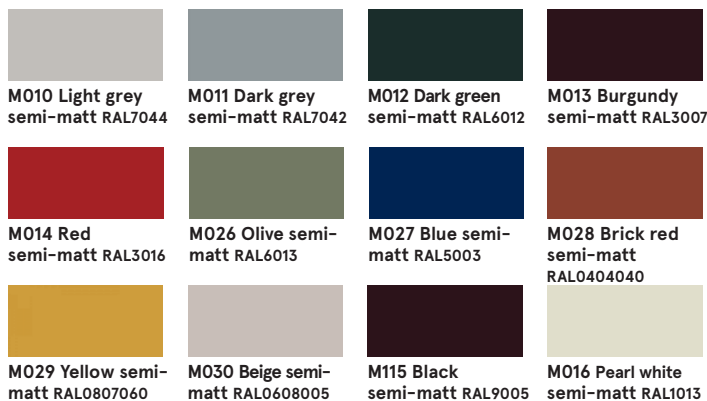


N2N08K
600 / 600 / 1200
10.79 kg

* dimensions expressed in millimeters: width x depth x height

New School	Date of preparation 11.04.2023	The data contained in this document is valid in the day of its preparation. Change of the product, as long as it does not affect the basic features of it, does not require consistent updates of the document.	page 8/14
			products

Base - metal



Seat, back, headrest - plywood



Seat, back, headrest

Fabric Medley - second price group



Technical data:

Material	polyester 100%
Fabric weight	510 g/lm (16.45 oz./lin.yd.)
Abrasion resistance rubs	BS EN ISO 12947-2, 75,000 cykli Martindale
Pilling resistance	scale 1-5, max. 5, EN ISO 12945-2 (4)
Colour fastness to light	scale 1-8, max. 8, EN ISO 105-B02 (5-7)
Colour fastness to rubbing	scale 1-5, max. 5, EN ISO 105x12 (wet/dry (4-5/4-5))
Acoustic test sound absorption	ISO 354
Flammability	BS EN 1021-1 (cigarette) BS 476 Part 7, Class 2 Class Uno UNI 9174 - UNI 8457 CA TB 117-2013 ASTM E 84 Class I

Fabric Atlantic * - second price group



Technical data:

Material polyester 100%

Fabric weight 530 g/lm (17.09 oz/lin.yd.)

Abrasion resistance rubs BS EN ISO 12947-2, 110,000 Martindale cycles

Pilling resistance scale 1-5, max. 5, EN ISO 12945-2 (4-5)

Colour fastness to light scale 1-8, max. 8, EN ISO 105-B02 (5-7)

Colour fastness to rubbing scale 1-5, max. 5, EN ISO 105x12 (wet/dry)

Flammability CA TB 117-2013
ASTM E 84 Class I
BS EN 1021-2 (match)
BS EN 1021-1 (cigarette)

Fabric Vita - second price group



Technical data:

Material Surface: 98,5% PVC, 1,5% PU
Substrate: 50% poliester, 50% Cotton

Fabric weight 850g/m2 ± 10% (1190G/lin. m ± 10%)

Abrasion resistance rubs BS EN ISO 5470-2, 100,000 Martindale cycles

Colour fastness to light 6 (ISO 105 - B02)

Colour fastness to rubbing wet: 4, dry: 4 (ISO 105 - X12)

Flammability BS EN 1021 - (cigarette)
BS EN 1021 - 2 (match)
BS 5852 - (Ignition Source 5)
BS 7176 - (Medium Hazard)

Flexes BS EN ISO 7854 - Method B, 400.000 Flexing cycles

Anti-microbial / Anti-fungal AATCC 147

Fabric Charles ** - second price group



Technical data:

Material 100% polyester

Fabric weight 433g/m2

Abrasion resistance rubs 90,000 Martindale cycles (EN ISO 12947-2)

Pilling resistance EN ISO 12945-2, 5

Light fastness EN ISO 105-B02, 5

Rubbing fastness dry: 4-5, wet: 4-5, EN ISO 105x12

Flammability EN 1021, 1

* There is a possibility of ordering the product in full colour spectrum of Atlantic range, as per Gabriel's pattern book, within 8 weeks

** There is a possibility of ordering the product in full colour spectrum of Charles range, as per Dekoma pattern book, within the standard delivery time.

Fabric Mica - second price group



Technical data:

Material post-consumer recycled polyester 97%, polyester 3%

Fabric weight 305 g/lm

Abrasion resistance rubs 60,000 rubs martindale (EN ISO 12947-2)

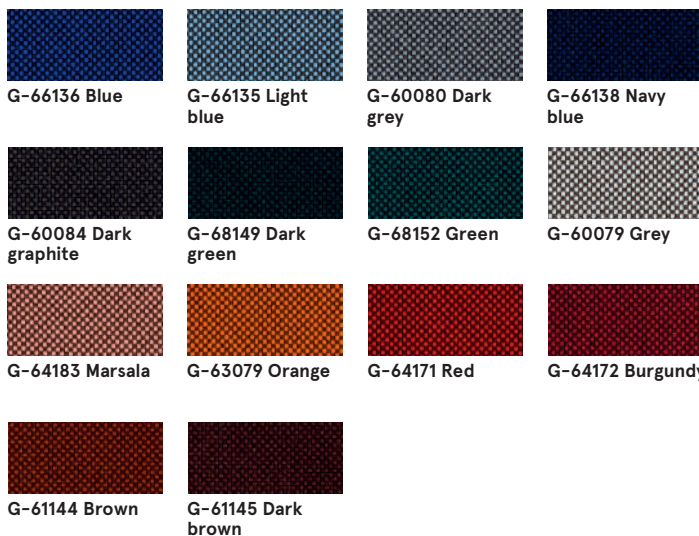
Pilling resistance scale 1-5, max. 5 - EN ISO 12945-2, 4-5

Light fastness scale 1-8, max. 8 - EN ISO 105-B02, 5-8

Rubbing fastness dry: 4-5, wet: 4-5, scale 1-5, max. 5 - EN ISO 105x12

Flammability CA TB 117-2013
ASTM E 84 Class I
BS EN 1021-1 Cigarette
BS EN 1021-2 Match
BS 476 Part 7 class I

Fabric Go Check - second price group



Technical data:

Material 100% Trevira CS

Fabric weight 435g/lm

Abrasion resistance rubs 80,000 rubs martindale (EN ISO 12947-2)

Pilling resistance scale 1-5, max. 5 - EN ISO 12945-2, 5

Light fastness scale 1-8, max. 8 - EN ISO 105-B02, 5-8

Rubbing fastness dry: 4-5, wet: 4-5, scale 1-5, max. 5 - EN ISO 105x12

Flammability BS EN 1021 1&2 Cigarette and Match
BS EN 1021-1 Cigarette
BS 5852 Crib 5
BS 7176 Medium hazard
DIN 4102 - B1
NFP 92-503/504/505 M1
ÖNORM A3800-B1-B3825-Q1 UK
Class Uno UNI 9175 Class 1 I EMME
FAR/JAR 25.853 (a) (i) (ii)
CA TB 117-2013
DIN EN 13501-1 B-s1,d0
AM 18 - NF D 60-013-(only for fabric)

Fabric Synergy - third price group



Technical data:

Composition 95% Virgin Wool, 5% Polyamide

Fabric weight 400g/m² (560g/lm)

Abrasion resistance rubs 100.000 Martindale cycles

Colour fastness to light ISO 105 - B02 5

Colour fastness to rubbing EN ISO 105x12 (dry/wet) 4-4

Flammability EN 1021 - 1&2 (cigarette & match)
 BS 7176 Low Hazard
 NF D 60-013
 ÖNORM B 3825 & A 3800-1 (58 kg/m³ CMHR Foam)
 UNI 9175 Classe 1 IM
 EN 13501-1 Adhered Class D, s1, d0
 IMO FTP Code (Part 8)
 The Furniture and Furnishing (Fire) (Safety) Regulations 1988 (Domestic Cigarette and Match)
 BS 5852 Ignition Source 5 when FR treated
 BS 7176 Medium Hazard when FR treated
 EN 13501-1 Adhered Class B, s1, d0 when FR treated
 EN 13501-1 Un-adhered Class D, s2, d0 when FR treated
 BS 5867-2: Type B Curtains & Drapes when FR treated

Fabric Silvertex - third price group

Technical data:

Material Topcoat: 100% Vinyl
 Backing: 100% Polyesterr Hi-Loft™

Fabric weight 685 gr/m²

Abrasion resistance >300,000 cycles Martindale

UV-resistance >= 7 (1000 hours, blue wool scale)

Cold Crack resistance -23°C

Flame retardancy NF P 92-503 / M2
 EN 1021, Part 1&2
 DIN 4102 B2
 ÖNORM B 3825, Gruppe I - Schwerbrennbares Verhalten
 ÖNORM A 3800, Teil I, Qualmbildungsklasse QI - schwachqualmend
 IMO Res. MSC.307 (88) (2010 FTP Code) Annex I Part 8
 (MED) Marine Equipment Directive in its current valid version
 UNI 9175 (1987) / UNI 9175/FAI (1994) Classe I.IM (uno I EMME)
 UNE 23.727-90 IR /M2
 EN 71-2: 2006+AI: 2007 Safety of Toys - Part 2: Flammability
 ECE R 118 (replaces Directive 95/28/EC)
 FMVSS 302
 FAR 25/853

Antimicrobial Antifungal Protection, Antibacterial Protection, Antimycotic Protection

There is a possibility of ordering the product in full colour spectrum of Silvertex range, as per Spradling's pattern book, within 15 working days.

Fabric Tessa - third price group



Technical data:

Material 95% polyester, 5% acrylic
Fabric weight 500g/m2
Abrasion resistance rubs 75,000 Martindale cycles (EN ISO 12497-2)
Pilling resistance EN ISO 12945-2, 4-5
Light fastness EN ISO 105-B02, 4
Rubbing fastness dry: 4-5, wet: 4-5, EN ISO 105x12

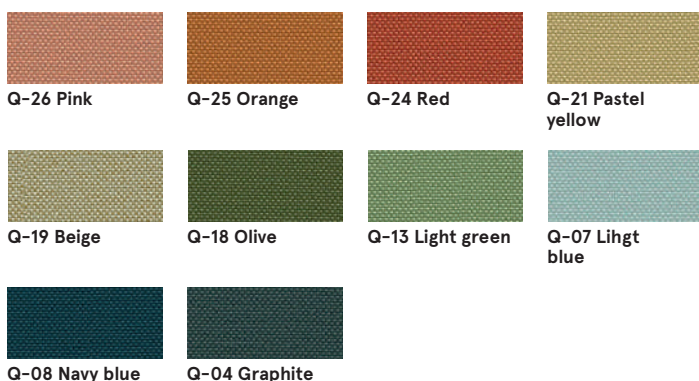
Fabric Oceanic - third price group



Technical data:

Material 100% post-consumer recycled polyester
Fabric weight 497g/m2
Abrasion resistance rubs 100,000 Martindale cycles (EN ISO 12947-2)
Pilling resistance EN ISO 12945-2, 5
Light fastness EN ISO 105-B02, 5
Rubbing fastness dry: 4, wet: 4, EN ISO 105x12
Flammability EN 1021, - 1&2 (Cigarette and Match)
 BS 7176 Low Hazard
 BS 5852 Ignition Source
 BS 7176 Medium Hazard

Fabric Quest - third price group



Technical data:

Material 100% post-consumer recycled polyester
Fabric weight 330g/m2
Abrasion resistance rubs 100,000 Martindale cycles (EN ISO 12947-2)
Light fastness EN ISO 105-B02, 4-6
Rubbing fastness dry: 4, wet: 4, EN ISO 105x12
Flammability EN 1021, - 1&2 (Cigarette and Match)
 BS 7176 Low Hazard
 UNI 9175 Classe 1 IM
 BS 476 Part 7 Class 1Y (Adhered)
 EN 13501-1 Adhered Class B, s1, d0
 EN 13501-1 Un-adhered Class B, s1, d0
 BS 5852 Ignition Source 5 with EnviroFlam5
 BS 7176 Medium Hazard with EnviroFlam5
 IMO FTP Code (Part 8) with EnviroFlam5

Fabric Grain - third price group



Technical data:

Material 92% post-consumer recycled polyester
 8% polyester
Fabric weight 615g/m2
Abrasion resistance rubs 100,000 Martindale cycles (EN ISO 12947-2)
Pilling resistance EN ISO 12945-2, 5
Light fastness EN ISO 105-B02, 5-7
Rubbing fastness dry: 4-5, wet: 4-5, EN ISO 105x12
Flammability BS EN 1021 1&2 Cigarette and Match
 BS EN 1021-1 Cigarette
 CA TB 117-2013

Fabric Atlas – fourth price group



Technical data:

Material 90% new wool, 10% nylon

Fabric weight 286g/m2, 400g/lm

Abrasion resistance rubs 100,000 cykli Martindale, EN ISO 12947

Colour fastness to light ISO 105 B02: 6-7

Colour fastness to rubbing ISO 105-X12:2001, (wet/dry) 4-5/4-5

Flammability BS EN 1021-2 Match, BS EN 1021-1 Cigarette, BS 5 5852 Crib 5, BS 5852 ignition source 3, BS 5852 Part 1, NF D 60 013, UNI 9175 11M, US Cal. Bull. 117-2013

Leather – fourth price group



Technical data:

Material Leather type - corrected grain leather
Type of finishing - pigmented leather

Abrasion resistance rubs Dry: 500 cycles - min. 4 grey scale
Wet: 250 cycles - min. 4 grey scale
UNI EN ISO 11640

Colour fastness to light Light fastness: min. 4 grey scale,
UNI ISO 105-802

Flammability No ignition
UNI EN 1021-1-2006
BS EN 1021-1-2006

Castors

