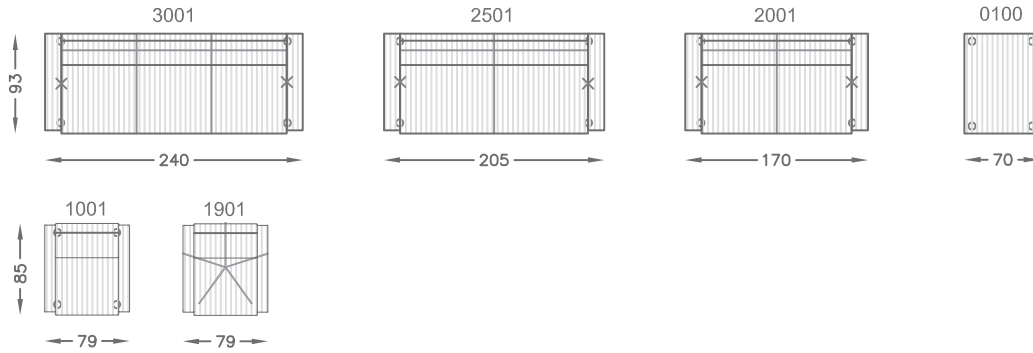
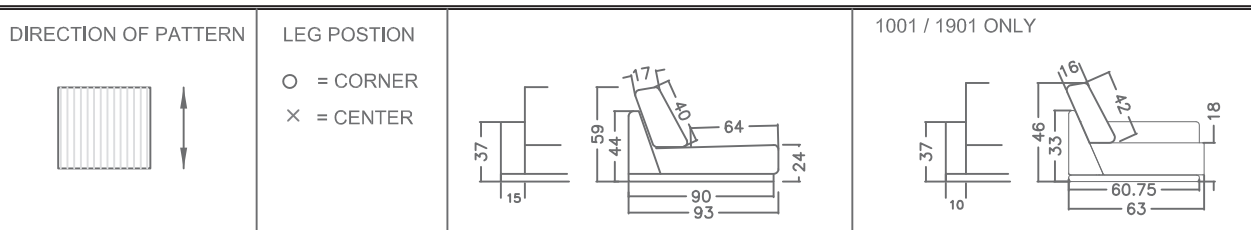
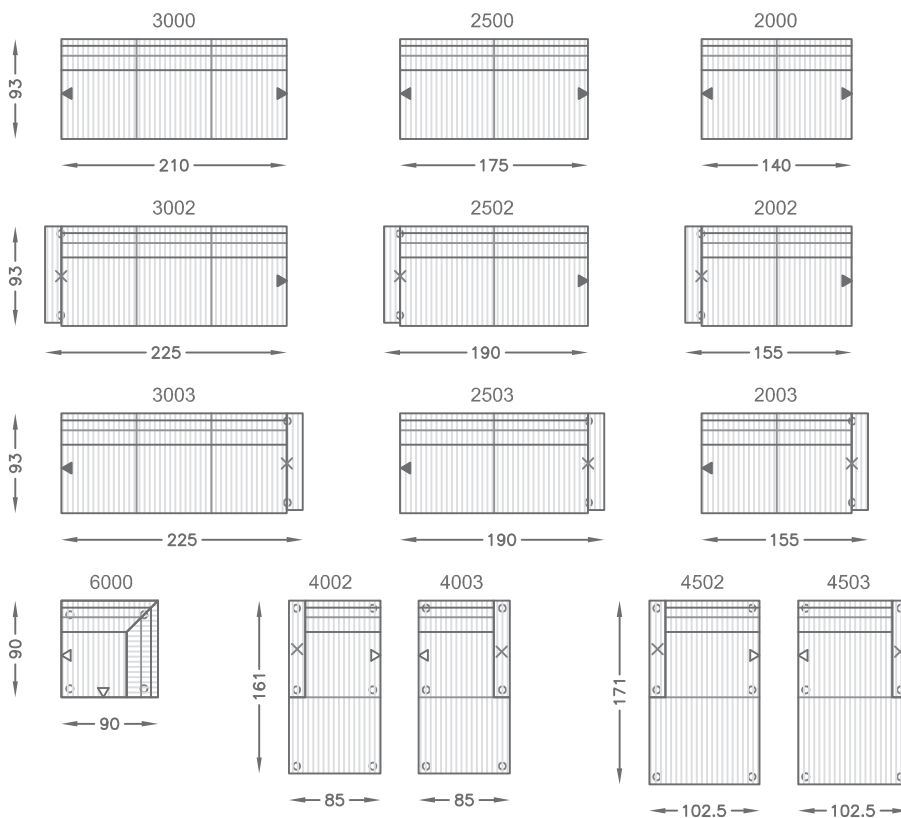


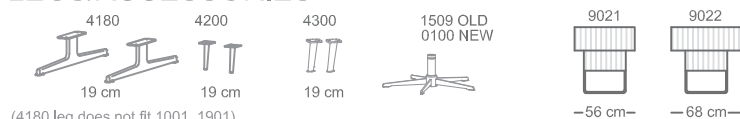
## SOLO MODULES



## BUILDING MODULES

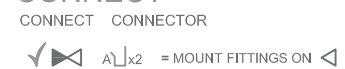


## LEGS/ACCESSORIES

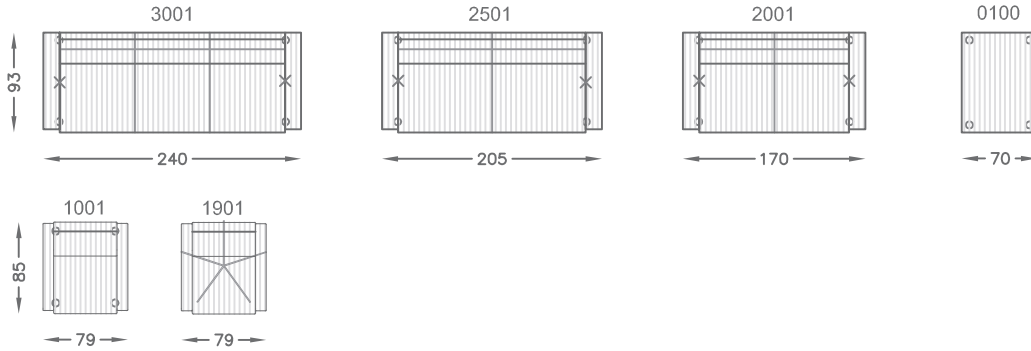


(4180 leg does not fit 1001, 1901)  
 (When using 4180 leg for 4002/ 4003/ 4502/ 4503 then use leg 4300 as support leg)  
 (1509/0100 base is only for Carlton 1901)

## CONNECT



### SOLO MODULES



### BUILDING MODULES

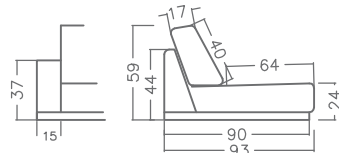


DIRECTION OF PATTERN

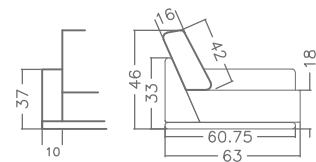


LEG POSITION

O = CORNER  
 X = CENTER



1001 / 1901 ONLY



### LEGS/ACCESSORIES



(4180 leg does not fit 1001, 1901)  
 (When using 4180 leg for 4002/ 4003/ 4502/ 4503 then use leg 4300 as support leg)  
 (1509 base is only for Carlton 1901)

### CONNECT

CONNECT CONNECTOR

✓ ⊠ x2 = MOUNT FITTINGS ON ⊠